

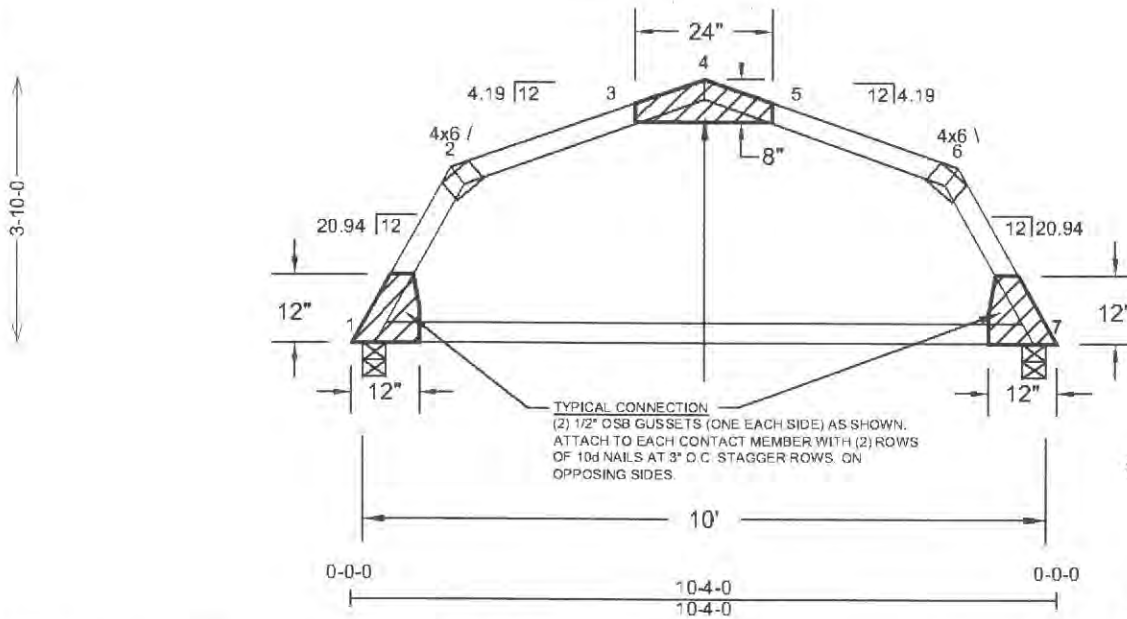
TrueBuild® Software v4.05
by Keymark Enterprises, LLC.

Truss: T4d
JobName: RBS0415A
Date: 04/23/09 03:57 PM
Page: 1 of 1

SPAN 10-4-0	PITCH 20.94 /12	QTY 1	OHL 0-0-0	OHR 0-0-0	CANT L 0-0-0	CANT R 0-0-0	PLYS 1	SPACING 24 in	WGT/PLY 38 lbs
----------------	--------------------	----------	--------------	--------------	-----------------	-----------------	-----------	------------------	-------------------

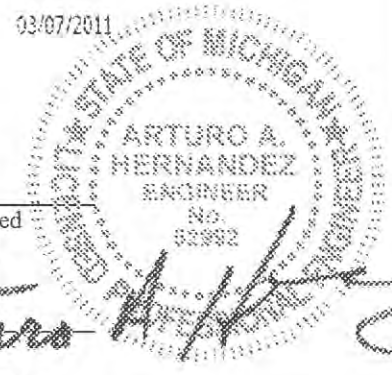
		10-4-0			
1-5-7	2-4-4	1-4-5	1-4-5	2-4-4	1-5-7
0-0-0	2-6-7	3-9-11	5-2-0	6-6-5	8-10-9
				2-6-7	

2x4x 2'-0" COLLAR TIE GLUED AND
NAILED BETWEEN 1/2" OSB ON BOTH
SIDES.



TYPICAL CONNECTION
(2) 1/2" OSB GUSSETS (ONE EACH SIDE) AS SHOWN.
ATTACH TO EACH CONTACT MEMBER WITH (2) ROWS
OF 10d NAILS AT 3" O.C. STAGGER ROWS ON
OPPOSING SIDES.

03/07/2011



Loading	General	Deflection	L/	(loc)	Allowed
Load (psf)	Bldg Code : IBC 2003/	Vert TL: 0.33 in	L/351	(7-1)	L/150
TCLL: 20	TPI 1-2002	Vert LL: 0.27 in	L/436	(7-1)	L/200
TCDL: 10	Rep Mbr Increase No	Horz TL: 0 in			
BCLL: 20	D.O.L. : 115 %				
BCDL: 5					

Reaction Summary

JT	Type	Brg Combo	Brg Width	Rqd Brg Width	Max React	Max Grv Uplift	Max MWFRS Uplift	Max C&C Uplift	Max Uplift	Max Horiz
1	Pin (Wall)	1	4.063 in	1.50 in	568 lbs		-775 lbs	-463 lbs	-775 lbs	669 lbs
7	Pin (Wall)	1	4.063 in	1.50 in	568 lbs		-330 lbs	-463 lbs	-463 lbs	462 lbs

Material Summary

TC SP #2 2 x 4
BC SP #2 2 x 4
Webs SP #3 2 x 4

Bracing Summary

TC Bracing: Sheathed or Purlins at 6-3-0, Purlin design by Others.
BC Bracing: Sheathed or Purlins at 6-0-0, Purlin design by Others.

Loads Summary

- This truss has been designed for the effects of wind loads in accordance with ASCE7 - 02 with the following user defined input: 140 mph, Exposure C, Enclosed, Gable/Hip, Building Category II (I = 1.00), Overall Bldg Dims 12 ft x 12 ft, h = 15 ft, Not End Zone Truss, Neither end web considered. DOL = 1.60
- Minimum storage attic loading has not been applied in accordance with IBC 1607.1
- In accordance with IBC 1607.1, minimum BCLL's do not apply.

Member Forces Summary

Table indicates: Member ID, max CSI, max axial force, (max compr force if different from max axial force)

0.890	761 lbs	(-693 lbs)	3-4	0.117	246 lbs	(-162 lbs)	5-6	0.482	550 lbs	(-449 lbs)
0.593	550 lbs	(-449 lbs)	4-5	0.229	246 lbs	(-139 lbs)	6-7	0.696	-693 lbs	
0.688	-1,035 lbs									
0.444	706 lbs	(-396 lbs)								

Notes:

- When this truss has been chosen for quality assurance inspection, the Effective Tooth Count Method per TPI 1-2002/A3.4 shall be used.
- Building Designer shall verify self weight of the truss and other dead load materials do not exceed BCCL 5 psf.
- Brace bottom chord with approved sheathing.
- Multiple pinned bearings exist.

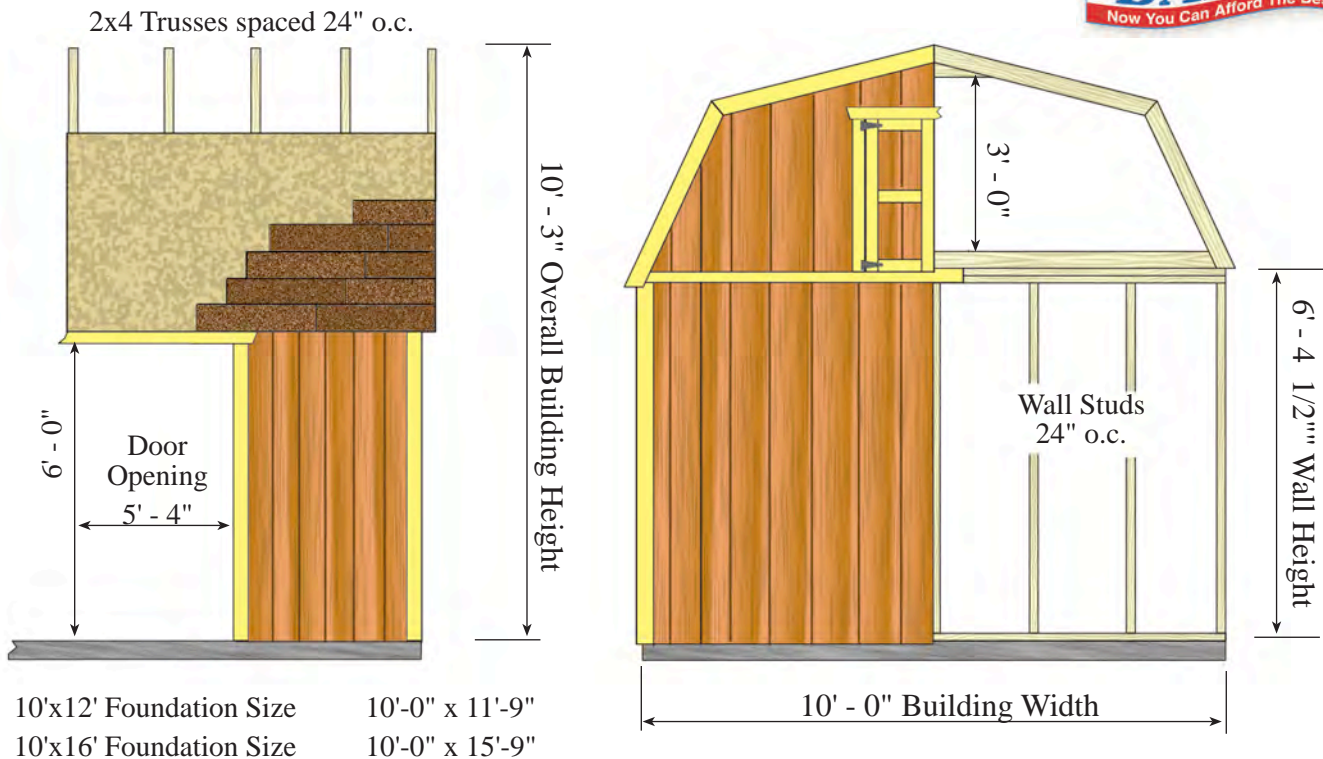
A copy of this design shall be furnished to the erection contractor. This design is for an individual building component (a truss). It is based on specifications provided by the Truss Designer and performed in accordance with TPI 1-2002 and the 2001 NDS design standard. No responsibility is assumed for the accuracy of information provided by the Truss Designer. Dimensions shall be verified by building designer. Creep deflection is not automatically accounted for by the software. The building designer shall review loading, truss configuration and initial deflection data shown to ensure that this design meets or exceeds minimum loading required by applicable building codes. Compression chords shall be laterally braced by the roof or floor sheathing, directly attached, unless otherwise noted. Bracing shown is for lateral support of individual truss components only to reduce building length. It is not wind or lateral load bracing or overall building design bracing which is by others. Refer to BCCL-B3 for recommended truss handling and erection. Do not apply loads beyond weight of exterior wall at permitted bracing in place. Concentration of construction loads greater than the design loads shall not be applied to the trusses at any time. Trusses shall be handled with care prior to erection to avoid damage. Lumber moisture content shall be 19% or less at the time of fabrication, unless noted otherwise (U.N.C.). Connector plates shall be manufactured by Eagle Metal Products (ESR-1082). Plates shall be applied on both faces of joints. Plate dimensions are listed width x length. Slots (holes) in plate shall run parallel to the plate length. The plate shall be centered on joints and/or placed in accordance with the current version of TPI. Design assures adequate anchorage will be provided to resist uplift at supports. The seal on this drawing indicates acceptance of professional engineering responsibility solely for the truss component design shown. The suitability and use of this component for any particular building design is the responsibility of the building designer, per ANSI/TPI 1-2002 Chapter 2.

Eagle Metal Products
2711 LBJ Freeway, Suite 160
Dallas, Texas 75234

Before you order our kit or begin construction, obtain a building permit. If additional documents are required contact Richard@barnkits.com.



MEADOWBROOK ELEVATION



Wall Framing: Constructed from 2x4 pre-cut wall studs spaced 24" o.c. Bottom plate, top and tie plate included.

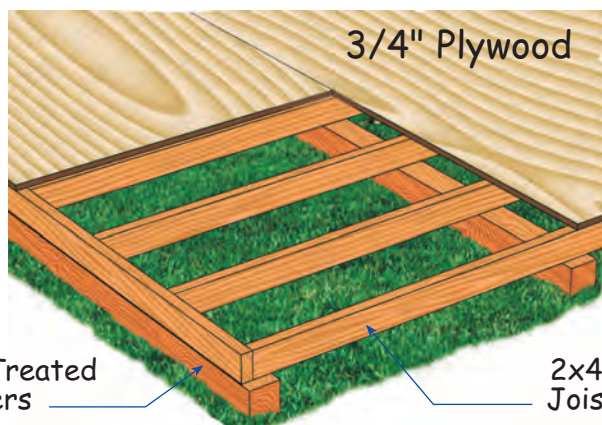
2nd Loft Floor: Loft floor on each end with a 4' wide access opening between loft sections.

Siding: Louisiana-Pacific 'Smart Panel' primed 8" o.c. groove with 50 year warranty, 5 year labor replacement

Roof System: 2x4 trusses spaced 24" on center, (40 psf ground snow load, 140 mph wind load). 7/16" OSB roof sheathing. *Shingles by owner.*

Exterior Trim: White pine trim for corners, door and gable trim.

Hardware: Nails for all framing, metal hurricane hangers for trusses. Black power coated door hinges and swivel door latch.



Deluxe Floor: 4x4 treated runners can be installed directly on the grass. The runners elevate the floor providing air flow under the floor eliminating moisture. 8' and 10' wide floors have three runners, 12' wide floor have four. The floor covering is 3/4" plywood.