

Obtaining a permit for your Best Barns or Sentry Buildings kit.

Building code offices and HOA's may require different documents to obtain a permit. The homeowners first step is to contact their local code office and ask what is needed for the size of building to be purchased.

Typically, the necessary documentation may include some or all of the following.

- Elevations showing at least two sides of structure.
- Site plan showing existing structures and proposed build site.
- Engineered drawings for truss system indicating snow and wind load ratings.*
- Cross sections of wall framing and foundation.
- Tie down locations for high wind load areas.

Permit requirements vary based on location. Some areas may not require a permit at all. The documents provided by Best Barns or Sentry Buildings are intended to help the homeowner with the permit process but do not guarantee a permit will be issued.** It is the homeowner's responsibility to determine if a permit is required and submit the necessary documentation if so.

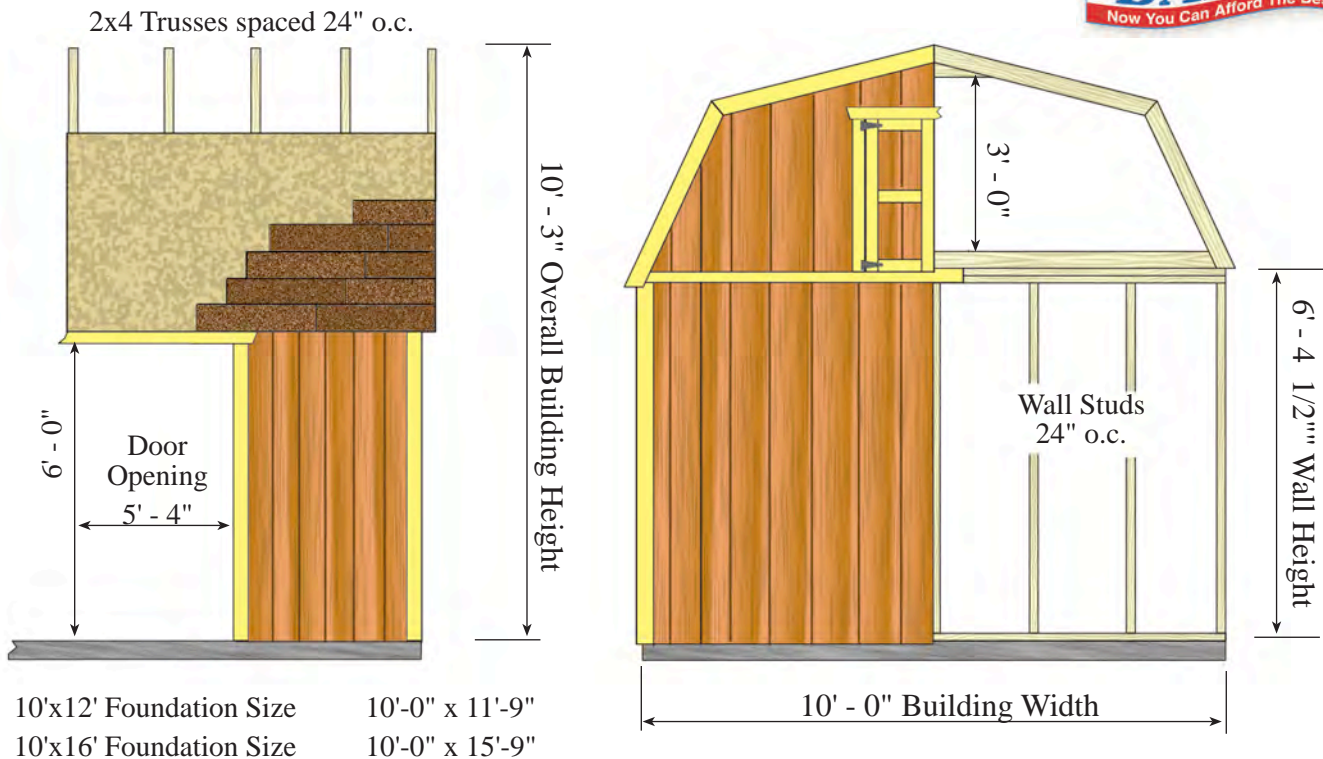
* Engineered truss drawings stamped for your individual state can be obtained upon request. A deposit will be required if shed or garage kit has not yet been purchased. Contact us directly at 800-245-1577 for further details.

** Certain states such as Florida and California have stringent requirements for obtaining a permit. Depending on your location, a civil engineer's services may be required to provide necessary documents. These services are the homeowners responsibility to obtain and are not included in the purchase of a shed or garage kit.

Before you order our kit or begin construction, obtain a building permit.
 If additional documents are required contact questions@barnkits.com.



MEADOWBROOK ELEVATION



Wall Framing: 2x4 Construction with 24" on center stud spacing, single bottom plate and top plate with 2x4 tie plates.

2nd Loft Floor: Loft floor on each end with a 4' wide access opening between loft sections.

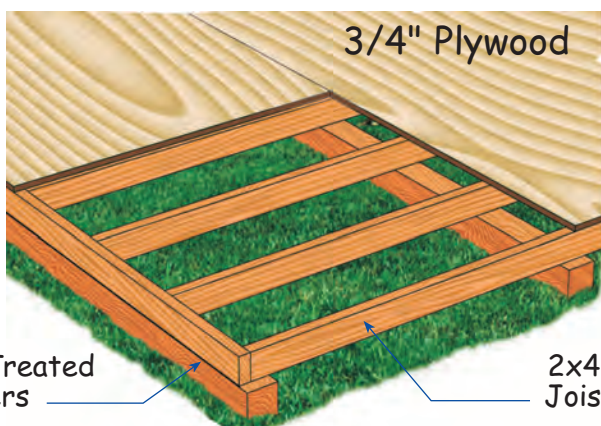
Siding: Louisiana-Pacific 'SmartPanel' 8" o.c. groove, primed ready to paint

Floor: Sold optionally

Roof System: 2x4 trusses spaced 24" on center, (see engineered truss drawing for load ratings). 7/16" OSB roof sheathing. *Shingles by owner.*

Exterior Trim: White pine trim for corners, door, gable trim and front and back fascia. Primed ready to paint.

Hardware: Nails for all framing, door hardware and metal hurricane hangers for trusses included.



Deluxe Floor (optional accessory): 4x4 treated runners can be installed directly on the grass. The runners elevate the floor providing air flow eliminating moisture. 12' wide floor has four runners. Floor covering is 3/4" plywood.

Job PER19444	Truss T4D	Truss Type KINGPOST	Qty 1	Ply 1	Job Reference (optional)
-----------------	--------------	------------------------	----------	----------	--------------------------

8.020 s Aug 1 2016 MiTek Industries, Inc. Mon Nov 28 18:59:20 2016 Page 1
 ID:czZTQ99Kp0rXzzTUkqcTsNyEcl4-oCbsNzSLYzM3C4wT4x4?x6wfy5pz_Kz7roD8HJyEZQL

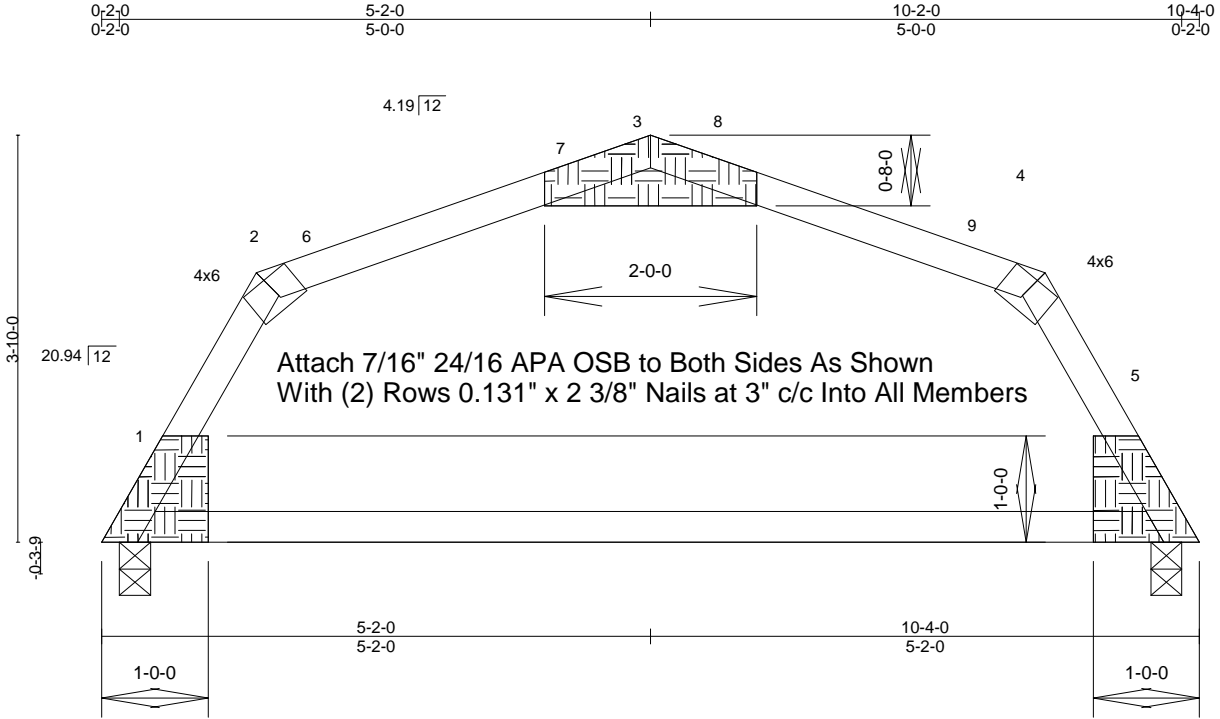


Plate Offsets (X,Y)-- [1:0-3-4,0-2-0], [2:0-0-3,0-1-13], [3:0-2-0,Edge], [4:0-0-3,0-1-13]

LOADING (psf)	SPACING-	CSI.	DEFL.	PLATES	GRIP
TCLL 20.0	2-0-0	TC 0.77	in (loc) l/defl L/d	MT20	244/190
TCDL 15.0	Plate Grip DOL 1.15	BC 0.89	Vert(LL) -0.32 1-5 >347 240		
BCLL 20.0 *	Lumber DOL 1.15	WB 0.00	Vert(TL) -0.54 1-5 >209 180		
BCDL 10.0	Rep Stress Incr YES	Matrix-R	Horz(TL) 0.01 5 n/a n/a		
	Code FBC2014/TPI2007			Weight: 35 lb	FT = 20%

LUMBER-	BRACING-
TOP CHORD 2x4 SP No.2	TOP CHORD Structural wood sheathing directly applied or 6-0-0 oc purlins.
BOT CHORD 2x4 SP No.2	BOT CHORD Rigid ceiling directly applied or 10-0-0 oc bracing.

MiTek recommends that Stabilizers and required cross bracing be installed during truss erection, in accordance with Stabilizer Installation guide.

REACTIONS. (lb/size) 1=422/0-3-8 (min. 0-1-8), 5=422/0-3-8 (min. 0-1-8)
 Max Horz 1=241(LC 11)
 Max Uplift 1=-377(LC 12), 5=-377(LC 12)
 Max Grav 1=515(LC 2), 5=515(LC 2)

FORCES. (lb) - Maximum Compression/Maximum Tension
 TOP CHORD 1-2=-449/597, 4-5=-449/597, 2-6=-450/570, 6-7=-431/577, 3-7=-418/583, 3-8=-418/583, 8-9=-431/577, 4-9=-450/570
 BOT CHORD 1-5=-168/293

- NOTES-**
- Unbalanced roof live loads have been considered for this design.
 - Wind: ASCE 7-10; Vult=181mph (3-second gust) Vasd=140mph; HVHZ; TCDL=6.0psf; BCDL=3.0psf; h=35ft; B=45ft; L=10ft; eave=4ft; Cat. II; Exp C; Encl., GCpi=0.18; MWFRS (directional) and C-C Exterior(2) 0-5-13 to 4-6-12, Interior(1) 4-6-12 to 5-2-0, Exterior(2) 5-2-0 to 9-10-3 zone; C-C for members and forces & MWFRS for reactions shown; Lumber DOL=1.33 plate grip DOL=1.33
 - This truss has been designed for a 10.0 psf bottom chord live load nonconcurrent with any other live loads.
 - * This truss has been designed for a live load of 20.0psf on the bottom chord in all areas where a rectangle 3-6-0 tall by 2-0-0 wide will fit between the bottom chord and any other members, with BCDL = 10.0psf.
 - One RT4 USP connectors recommended to connect truss to bearing walls due to UPLIFT at jt(s) 1 and 5. This connection is for uplift only and does not consider lateral forces.
- LOAD CASE(S)** Standard

3/4/19

Best Barns model: _____
____ft. wide x ____ft. long

Manufactured by:
Reynolds Building Systems, Inc.
205 Arlington Drive
Greenville, PA 16125
phone: 800-245-1577
fax: 724-646-0772

Common Foundation Cross Sections

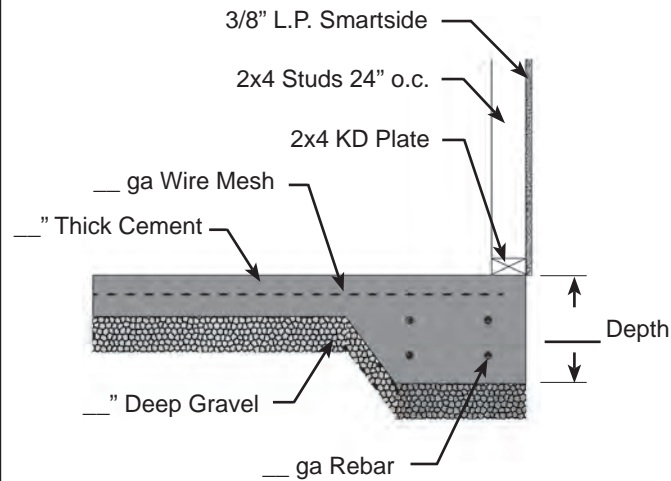
This document illustrates common foundation types which can be used for construction of Best Barns 10 ft. wide structures. Alteration may be necessary to conform to homeowners intended use and or permitting requirements.
Drawings not to scale.

Instructions:

Check appropriate foundation cross section and provide specifications as necessary.

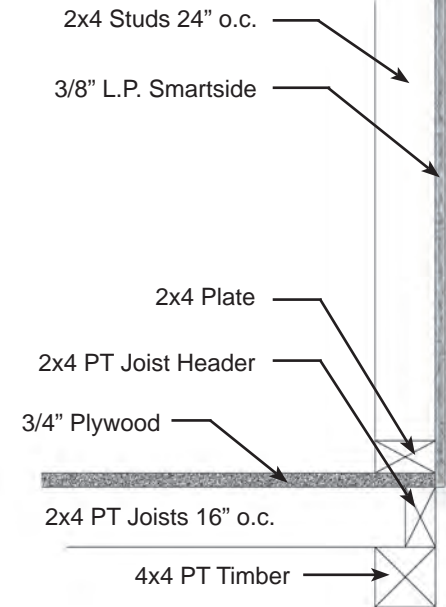
Homeowner may also design and draw in space provided for custom foundation type.

Concrete Slab



Homeowner Design

Wood Floor



Best Barns model:
Meadowbrook / Woodville
10ft. wide x ____ft. long

Manufactured by:
Reynolds Building Systems, Inc.
205 Arlington Drive
Greenville, PA 16125
phone: 800-245-1577
fax: 724-646-0772

Truss & Wall Cross Section

Top of wall inclusive of wall framing, loft floor, floor joists, joist header and truss cross sections.

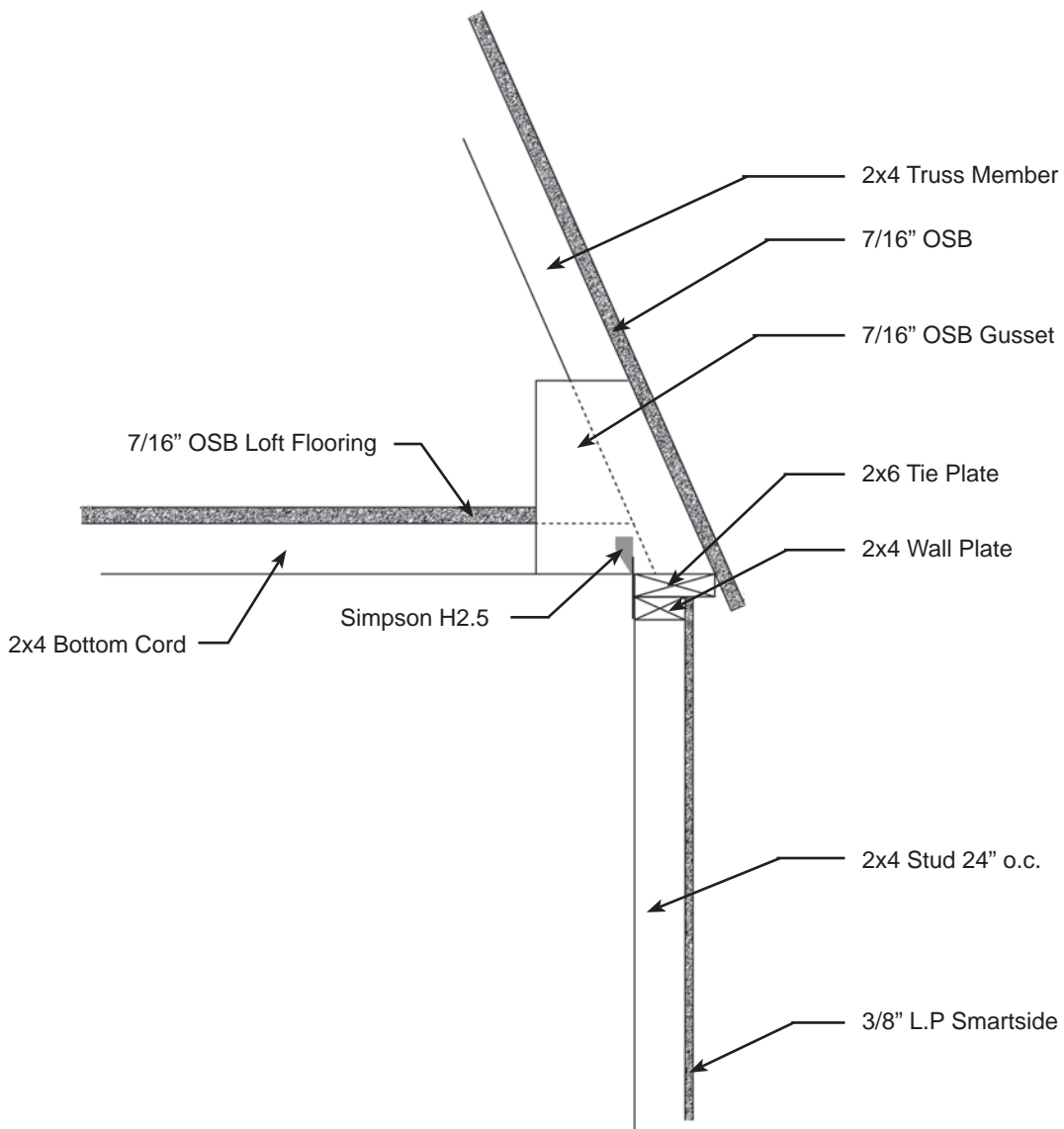
Drawing not to scale.

Instructions:

Homeowner may provide additional information as appropriate.

Notes:

Refer to installation manual for further detail.



Site Plan for:

Manufactured by:
Reynolds Building Systems, Inc.
205 Arlington Drive
Greenville, PA 16125
phone: 800-245-1577
fax: 724-646-0772

Instructions:

Draw property line, existing structures and proposed placement of building.

Homeowner may also be required to show trees and shrubs. Check with HOA or permit office for requirements.

A large, empty rectangular area with a black border, intended for drawing the site plan. It occupies the right two-thirds of the page.