

# Obtaining a permit for your Best Barns or Sentry Buildings kit.

Building code offices and HOA's may require different documents to obtain a permit. The homeowners first step is to contact their local code office and ask what is needed for the size of building to be purchased.

Typically, the necessary documentation may include some or all of the following.

- Elevations showing at least two sides of structure.
- Site plan showing existing structures and proposed build site.
- Engineered drawings for truss system indicating snow and wind load ratings.\*
- Cross sections of wall framing and foundation.
- Tie down locations for high wind load areas.

Permit requirements vary based on location. Some areas may not require a permit at all. The documents provided by Best Barns or Sentry Buildings are intended to help the homeowner with the permit process but do not guarantee a permit will be issued.\*\* It is the homeowner's responsibility to determine if a permit is required and submit the necessary documentation if so.

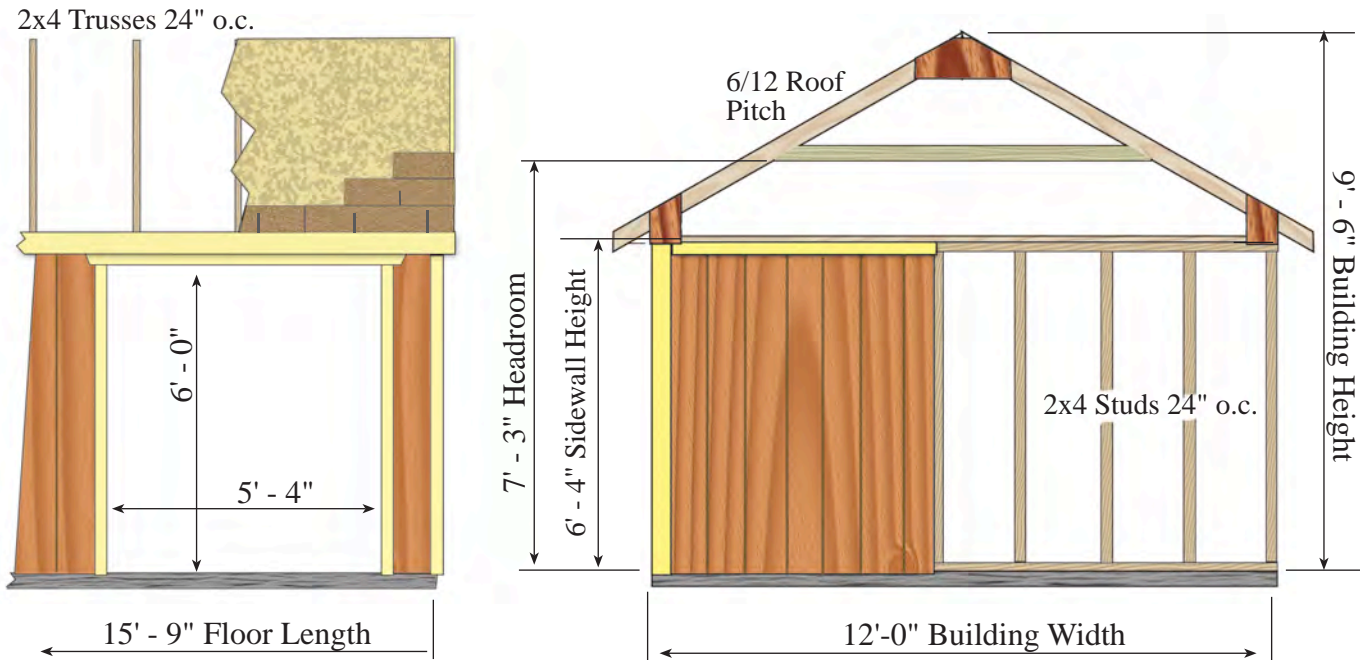
\* Engineered truss drawings stamped for your individual state can be obtained upon request. A deposit will be required if shed or garage kit has not yet been purchased. Contact us directly at 800-245-1577 for further details.

\*\* Certain states such as Florida and California have stringent requirements for obtaining a permit. Depending on your location, a civil engineer's services may be required to provide necessary documents. These services are the homeowners responsibility to obtain and are not included in the purchase of a shed or garage kit.



Before you order our kit or begin construction, obtain a building permit. If additional documents are required contact [questions@barnkits.com](mailto:questions@barnkits.com).

## NEW CASTLE ELEVATION



**Floor:** Sold optionally

**Wall Framing:** 2x4 Construction with 24" on center stud spacing, single bottom plate and top plate with 2x4 tie plates.

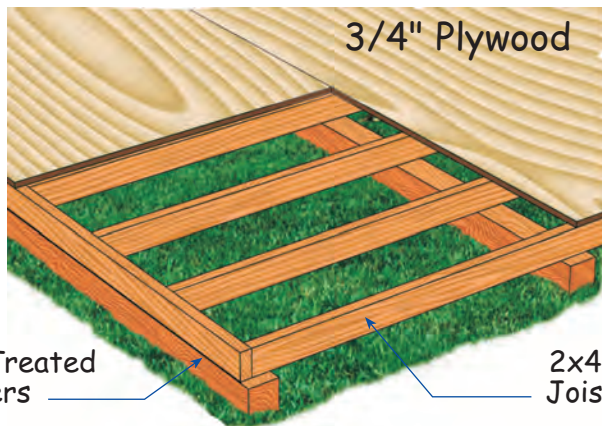
**Siding:** Louisiana-Pacific 'SmartPanel' 8" o.c. groove, primed ready to paint.

**Pre-Built Doors:** Doors pre-built ready to hang.

**Roof System:** 2x4 trusses spaced 24" on center, (see engineered truss drawing for load ratings). 7/16" OSB roof sheathing. *Shingles by owner.*

**Exterior Trim:** White pine trim for corners, door, gable trim and front and back fascia. Primed ready to paint.

**Hardware:** Nails for all framing, door hardware and metal hurricane hangers for trusses included.



**Deluxe Floor (optional accessory):** 4x4 treated runners can be installed directly on the grass. The runners elevate the floor providing air flow eliminating moisture. 12' wide floor has four runners. Floor covering is 3/4" plywood.

Job PER16912	Truss T1	Truss Type KINGPOST	Qty 1	Ply 1	Job Reference (optional)
-----------------	-------------	------------------------	----------	----------	--------------------------

7.630 s Jul 9 2015 MiTek Industries, Inc. Wed Jun 29 16:16:00 2016 Page 1  
 ID:L58nGTzwTmsRVEQ6hMpDeXz1NJ6-VKhNHkoCnli?TGeDuyOAhGFLWHRMpMltVEkXFmz1N7]

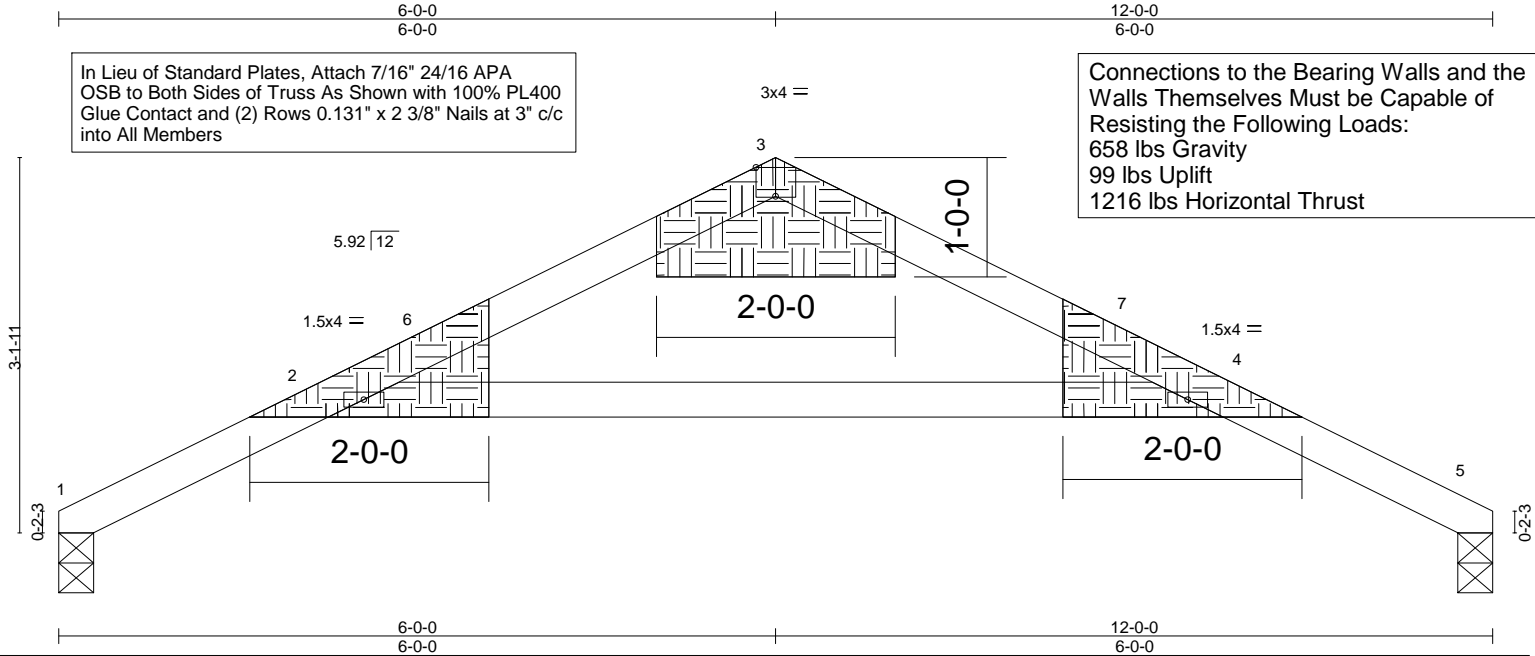


Plate Offsets (X,Y)-- [3:0-2-0,Edge]											
<b>LOADING</b> (psf)		<b>SPACING-</b>	2-0-0	<b>CSI.</b>		<b>DEFL.</b>	in (loc)	l/defl	L/d	<b>PLATES</b>	<b>GRIP</b>
TCLL	46.2	Plate Grip DOL	1.15	TC	0.56	Vert(LL)	-0.18	2-3	>776	MT20	197/144
(Ground Snow=60.0)		Lumber DOL	1.15	BC	0.00	Vert(CT)	-0.19	2-3	>734		
TCDL	10.0	Rep Stress Incr	YES	WB	0.79	Horz(CT)	0.00	n/a	n/a		
BCLL	0.0 *	Code IRC2015/TPI2014		(Matrix)						Weight: 24 lb	FT = 20%
BCDL	10.0										

**LUMBER-**  
 TOP CHORD 2x4 SPF No.2  
 WEBS 2x4 SPF No.2

**BRACING-**  
 TOP CHORD Structural wood sheathing directly applied or 4-8-13 oc purlins.  
 BOT CHORD Rigid ceiling directly applied or 10-0-0 oc bracing.

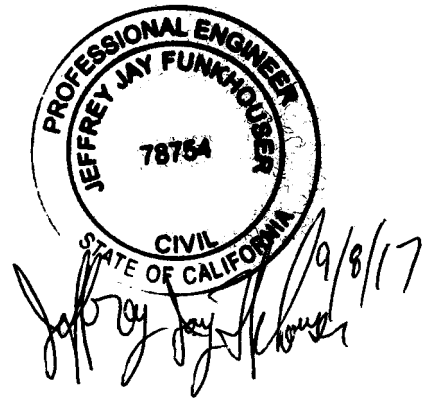
MiTek recommends that Stabilizers and required cross bracing be installed during truss erection, in accordance with Stabilizer Installation guide.

**REACTIONS.** (lb/size) 1=658/0-3-8 (min. 0-1-8), 5=658/0-3-8 (min. 0-1-8)  
 Max Horz 1=1223(LC 1), 5=-1223(LC 1)  
 Max Uplift 1=-99(LC 10), 5=-99(LC 10)

**FORCES.** (lb) - Maximum Compression/Maximum Tension  
 TOP CHORD 1-2=-1377/213, 2-6=-512/54, 3-6=-403/67, 3-7=-403/67, 4-7=-512/54, 4-5=-1377/213  
 WEBS 2-4=-862/183

- NOTES-**
- 1) Wind: ASCE 7-10; Vult=130mph (3-second gust) Vasd=103mph; TCDL=6.0psf; BCDL=6.0psf; h=25ft; B=45ft; L=24ft; eave=4ft; Cat. II; Exp B; enclosed; MWFRS (directional); Lumber DOL=1.60 plate grip DOL=1.60
  - 2) TCLL: ASCE 7-10; Pg= 60.0 psf (ground snow); Pf=46.2 psf (flat roof snow); Category II; Exp B; Partially Exp.; Ct=1.1
  - 3) Unbalanced snow loads have been considered for this design.
  - 4) \* This truss has been designed for a live load of 20.0psf on the bottom chord in all areas where a rectangle 3-6-0 tall by 2-0-0 wide will fit between the bottom chord and any other members.
  - 5) Bearing at joint(s) 1, 5 considers parallel to grain value using ANSI/TPI 1 angle to grain formula. Building designer should verify capacity of bearing surface.
  - 6) Provide mechanical connection (by others) of truss to bearing plate capable of withstanding 99 lb uplift at joint 1 and 99 lb uplift at joint 5.
  - 7) Non Standard bearing condition. Review required.
  - 8) This truss is designed in accordance with the 2015 International Residential Code sections R502.11.1 and R802.10.2 and referenced standard ANSI/TPI 1.
  - 9) "Pin all pitchbreaks" Member end fixity model was used in the analysis and design of this truss.

**LOAD CASE(S)** Standard



**Best Barns model:** \_\_\_\_\_  
 \_\_\_ft. wide x \_\_\_ft. long

Manufactured by:  
 Reynolds Building Systems, Inc.  
 205 Arlington Drive  
 Greenville, PA 16125  
 phone: 800-245-1577  
 fax: 724-646-0772

### Common Foundation Cross Sections

This document illustrates common foundation types which can be used for construction of Best Barns 12 ft. wide structures. Alteration may be necessary to conform to homeowners intended use and or permitting requirements.

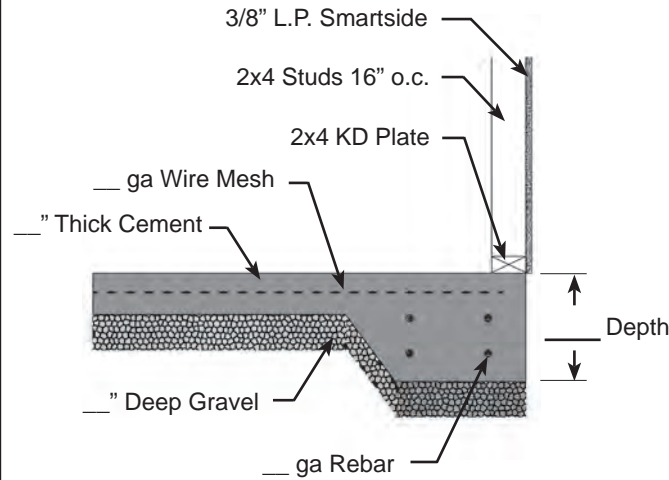
Drawings not to scale.

#### Instructions:

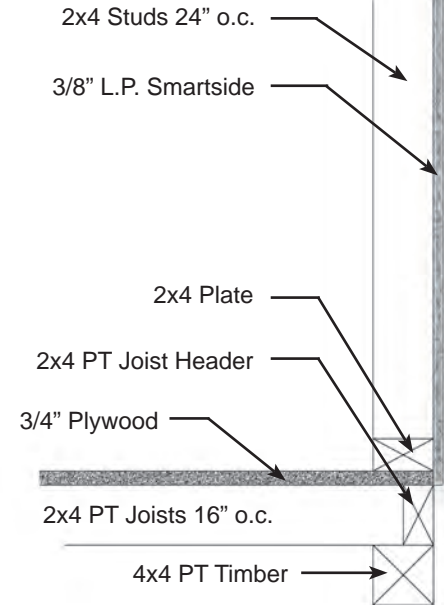
Check appropriate foundation cross section and provide specifications as necessary.

Homeowner may also design and draw in space provided for custom foundation type.

**Concrete Slab**



**Wood Floor**



**Homeowner Design**

**Best Barns model:** \_\_\_\_\_  
\_\_\_\_ ft. wide x \_\_\_\_ ft. long

Manufactured by:  
Reynolds Building Systems, Inc.  
205 Arlington Drive  
Greenville, PA 16125  
phone: 800-245-1577  
fax: 724-646-0772

### Truss & Wall Cross Section

Top of wall inclusive of wall  
framing and truss cross sections.

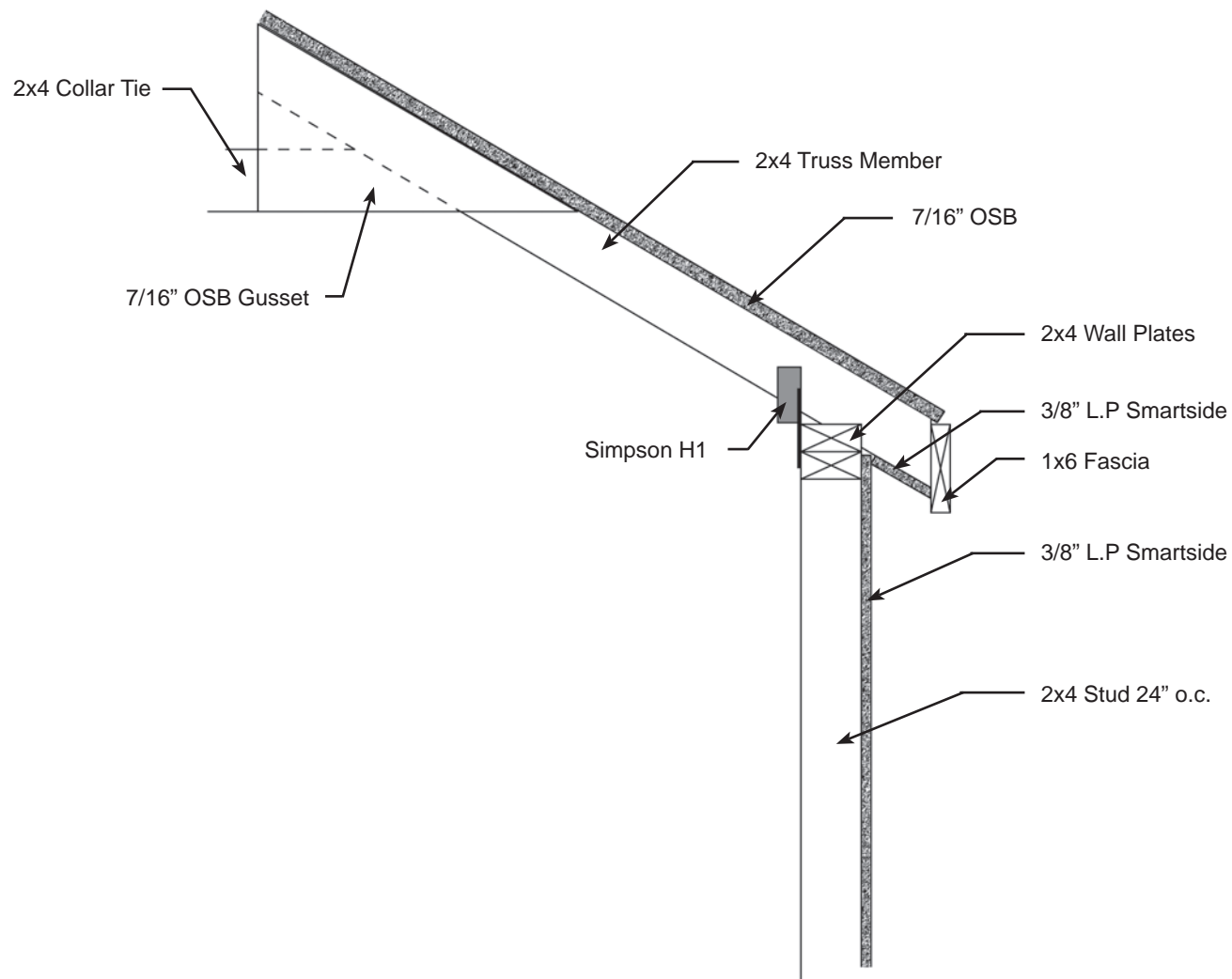
Drawing not to scale.

#### Instructions:

Homeowner may provide  
additional information as  
appropriate.

#### Notes:

Refer to installation manual for  
further detail.



**Site Plan for:**

Manufactured by:  
Reynolds Building Systems, Inc.  
205 Arlington Drive  
Greenville, PA 16125  
phone: 800-245-1577  
fax: 724-646-0772

**Instructions:**

Draw property line, existing structures and proposed placement of building.

Homeowner may also be required to show trees and shrubs. Check with HOA or permit office for requirements.

A large, empty rectangular box with a black border, intended for the site plan drawing. It occupies the right two-thirds of the page.