



Best Barns USA Assembly Book

Revised January 30, 2017



Roof Dormer Instructions for the Arlington

Manufactured by Reynolds Building Systems, Inc.

205 Arlington Drive, Greenville, PA 16125

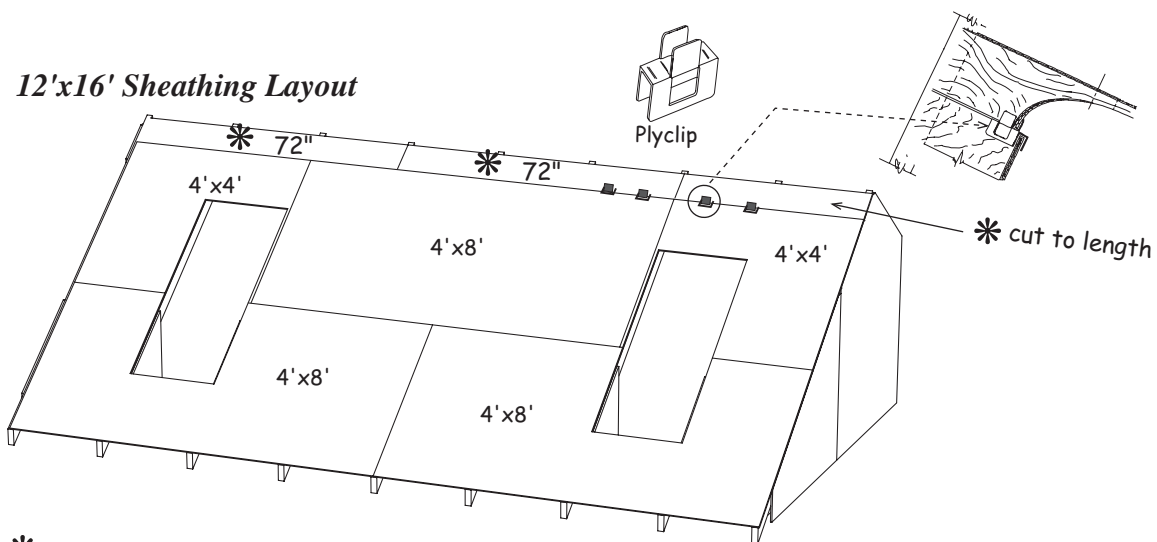
This manual is copyrighted. Under the copyright laws, this manual may not be copied, in whole or in part, without consent from Reynolds Building Systems, Inc. © Copyright 2011

4	2x6	Bottom Plates	55-3/4"	2	1 lb. box	8d	Galv. Box
2	2x4	Ridge Boards	56-1/2"	2	1 lb. box	6d	Galv. Box
2	2x4	Bottom Plates	33-1/2"	64	1/2"	White Screws for Windows	
4	2x3	Sidewall Overhang	45-1/4"	40	2-1/2"	Wood Screws	
4	2x3	Gable Overhang	22-3/4"	4	3-1/2"	Wood Screws	
4	1x4	Sidewall Fascia	45-1/4"	1	2"	Bit for Wood Screws	
4	1x4	Gable Trim	23-3/4"	64	5"x7"	Step Flashing	
4	1x3	Side Corner Trim	37"	2	7"x41"	Front Dormer Flashing	
4	1x3	Front Corner Trim	34-1/4"	3	ea.	18" x 36" Sunburst Windows	
4	7/16"	Roof Sheathing	20-1/2"x 58-3/4"	4	ea.	Pre-built Angle Sidewall Panels	
4	3/8"	Sidewall Siding	4" x 47" angled	2	ea.	Pre-built Frontwall Panels	
2	3/8"	Front Siding	33-1/2" x 49"	1	ea.	Pre-built Door Header	

Step 1 Install Roof Sheathing

Install roof sheathing per layout. The bottom edge of the sheathing should extend past the end of the trusses to rest on the 1x6 fascia when applied later. See **Detail 'C'** on next page. Make sure the trusses are plumb and the roof sheathing meets in the center of the truss.

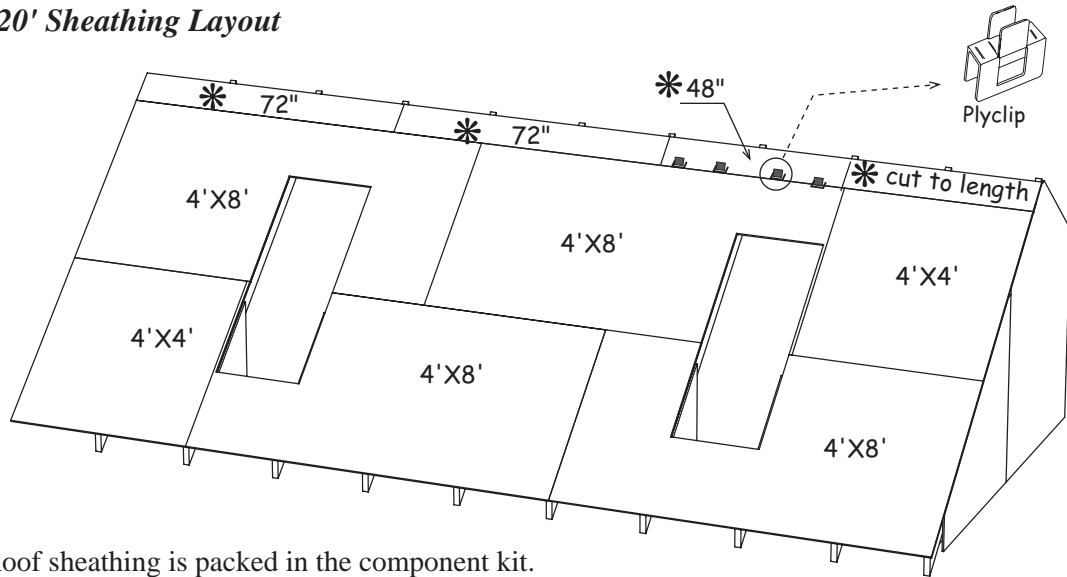
Secure sheathing with 7d sinkers nails, space nails 12" apart. The top row of roof sheathing is supplied in our kit. There will be a 1" space below the peak of the trusses to allow venation if ridge vent is installed. Insert (2) two plyclips into the roof sheathing between each truss at the top row. You can cut the dormer openings as you install the roof sheathing. See **Step 2** for the opening sizes.



* Roof sheathing is packed in the component kit.

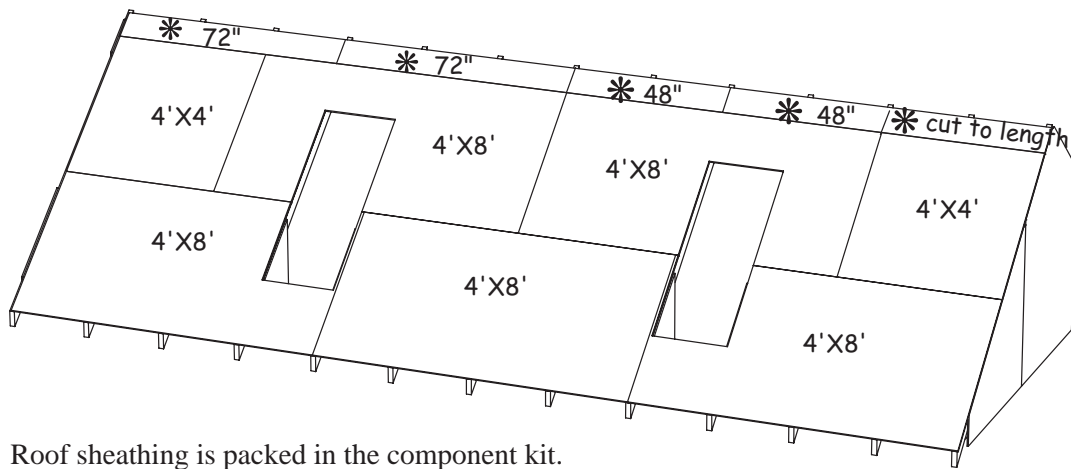
Step 1 Install Roof SheathingContinued

12'x20' Sheathing Layout

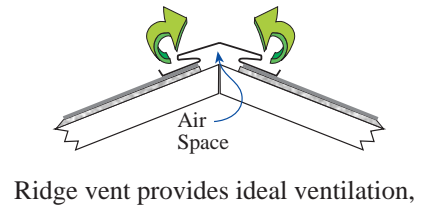
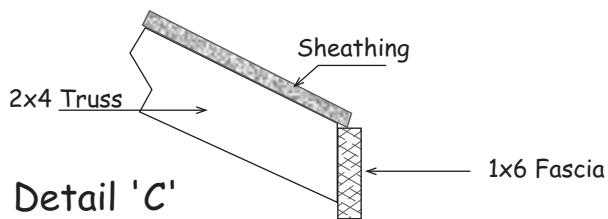


* Roof sheathing is packed in the component kit.

12'x24' Sheathing Layout



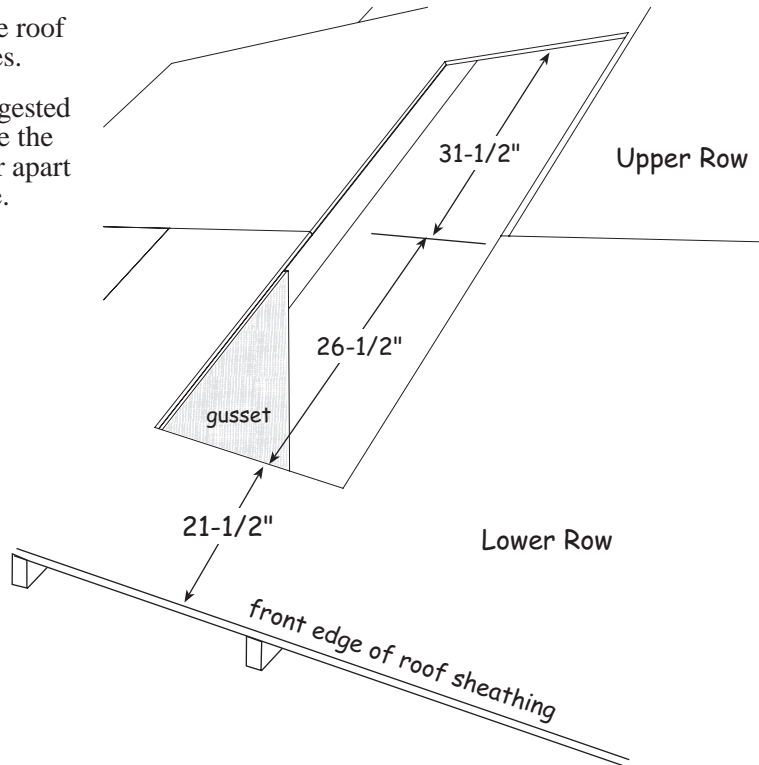
* Roof sheathing is packed in the component kit.



Step 2 Cut Opening in Roof Sheathing

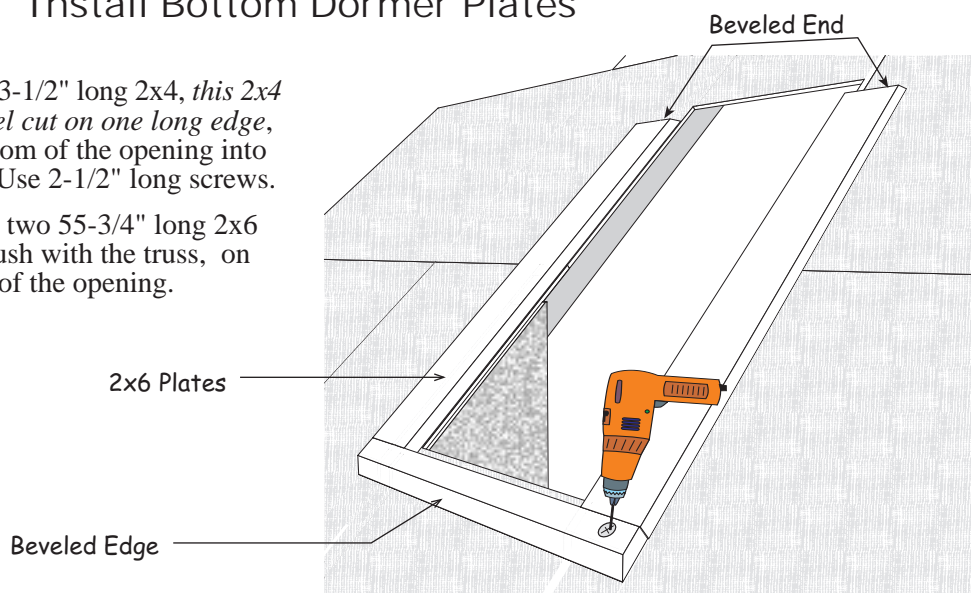
Cut a 22-1/2" wide opening in the roof sheathing between the roof trusses.

The sheathing layouts show a suggested location. However, you can locate the dormers closer together or farther apart to give the appearance you desire.



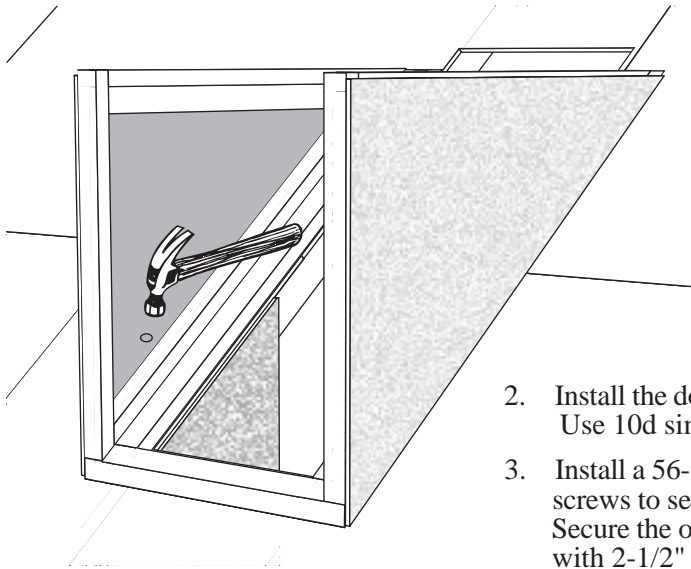
Step 3 Install Bottom Dormer Plates

1. Install a 33-1/2" long 2x4, *this 2x4 has a bevel cut on one long edge*, at the bottom of the opening into the truss. Use 2-1/2" long screws.
2. Install (2) two 55-3/4" long 2x6 boards, flush with the truss, on each side of the opening.

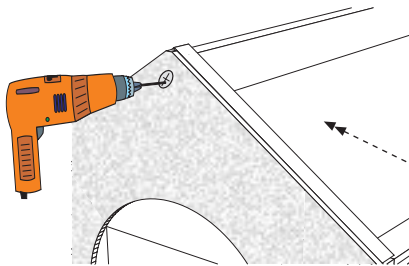


Step 4 Set Dormer Sidewalls

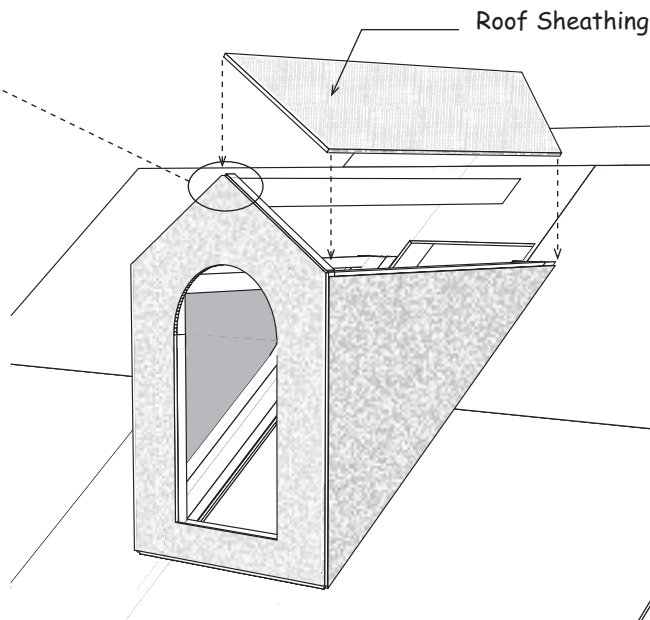
1. Install angled sidewall frames over the 2x6 plates. Secure with 10d sinkers.



2. Install the dormer front panel between the sidewalls. Use 10d sinkers.
3. Install a 56-1/2" long 2x4 at the top. Use 3-1/2" long screws to secure the 2x4 to the top of the front wall. Secure the other end of the 2x4 to the roof sheathing with 2-1/2" wood screws.

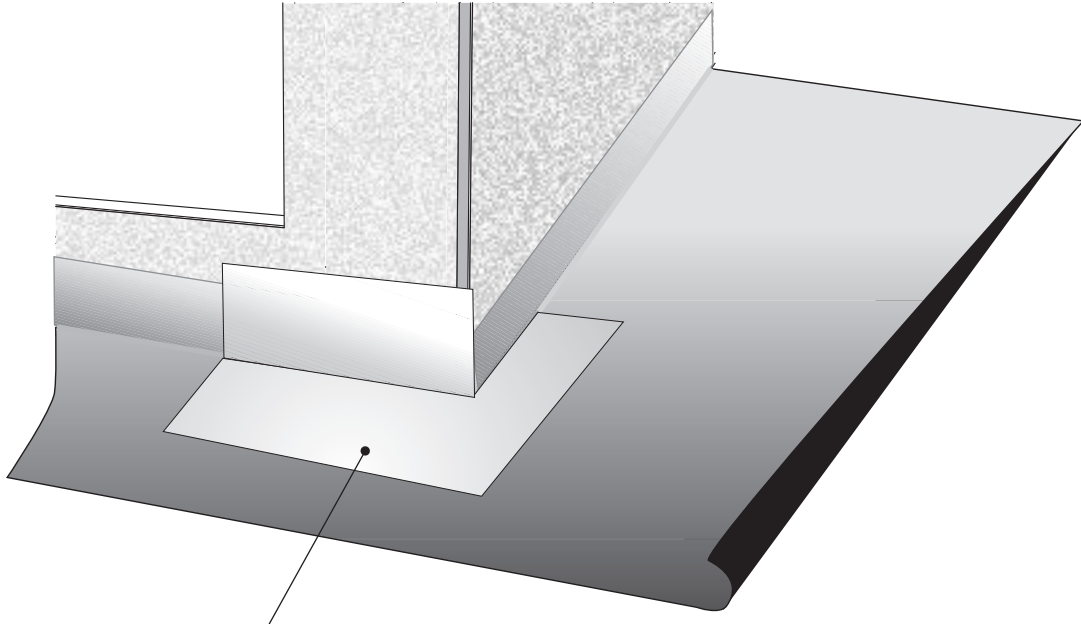


4. Install 20-1/2" x 58-3/4" long roof sheathing. Install the sheathing flush with the front and side-walls. Use 7d sinkers.

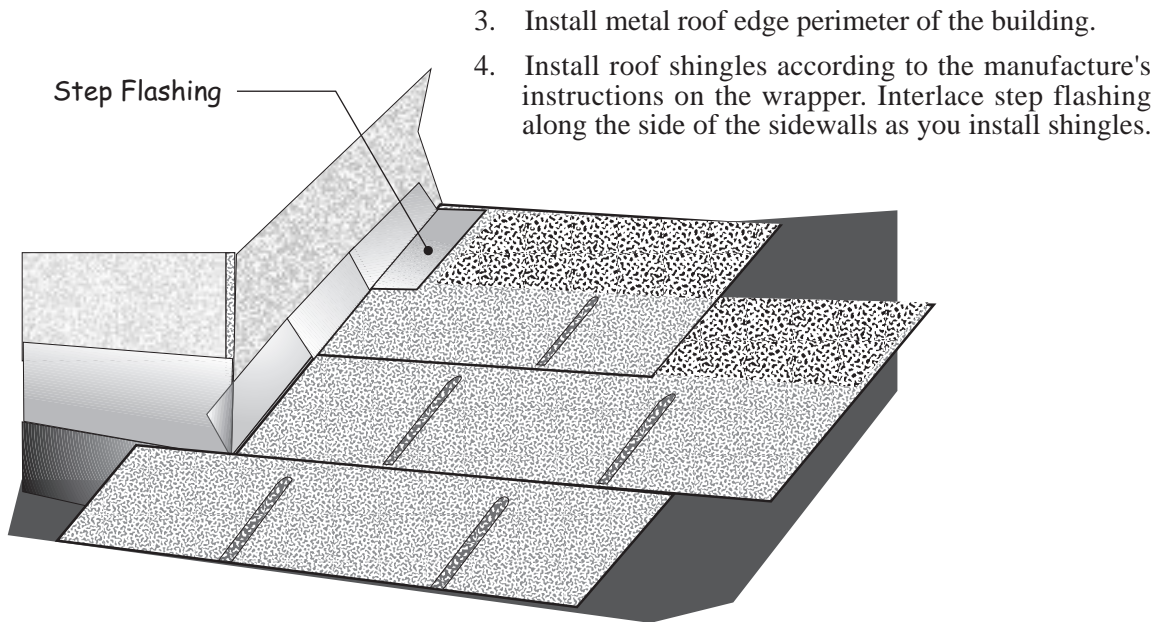


Step 5 Install Dormer Flashing

1. Install felt paper over roof sheathing and lower portion of dormer walls.

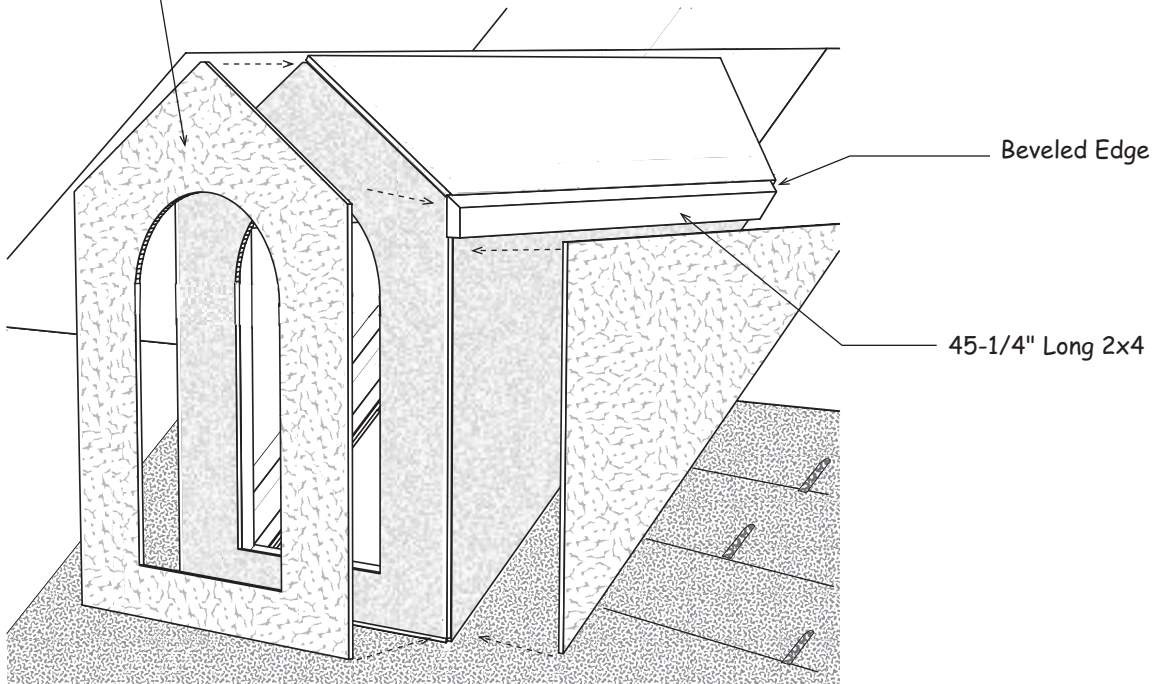


2. Install metal flashing along the dormer. Cut flashing around dormer.

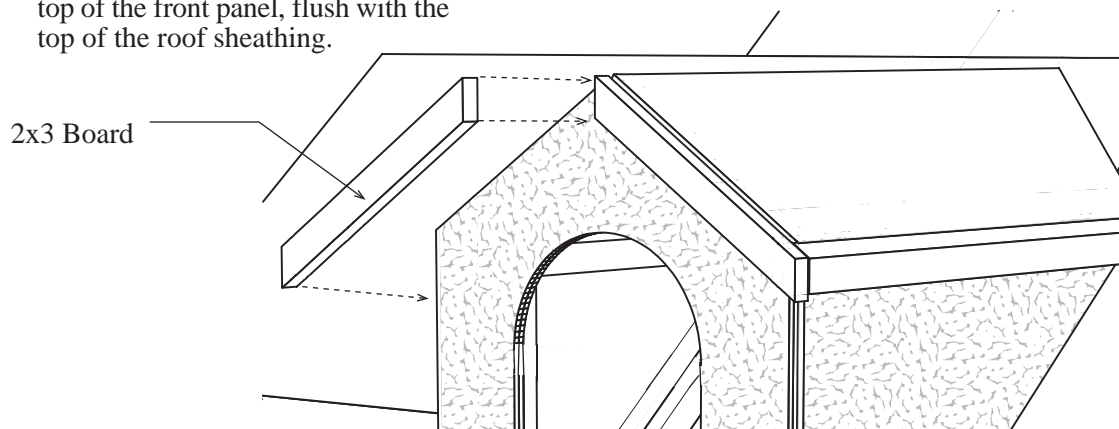


Step 6 Install Primed Exterior Siding & Gable Overhang

1. Install primed siding over the front wall.



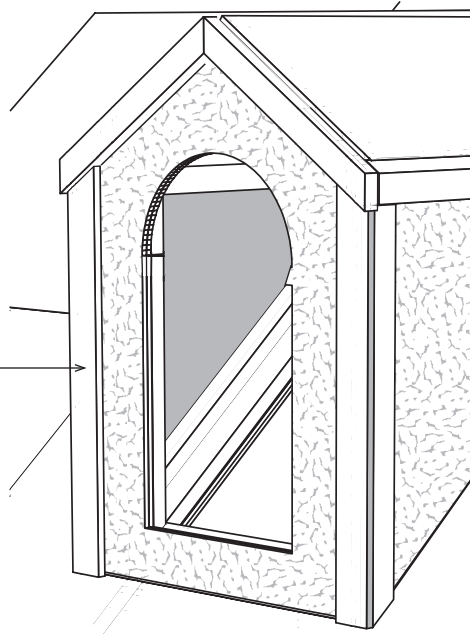
2. Install a 45-1/4" long 2x4 on the top of the sidewall. Install the 2x4 with the beveled edge flush with the top of the roof sheathing.
3. Install the primed siding on the sidewalls. Use 8d galv. nails. Paint the bottom edges on the siding to prevent water damage.
4. Install 22-3/4" long 2x3s over at the top of the front panel, flush with the top of the roof sheathing.



Step 7 Install Corner Trim

1. Install 34-1/4" long 1x3 white pine trim on the dormer sides, flush with the siding on the front of the dormer. Use 8d galv. nails.
2. Install 37" long 1x3 corner trim on the front of the dormer.

1x3-37" Corner Trim



Step 8 Install Gable Trim

1. Install 45-1/4" long 1x4 white pine trim on the dormer sides, flush with the roof sheathing.
2. Install 23-3/4" long 1x4 trim over the 2x3 boards on the front of the dormer. Install trim flush with the top of the roof sheathing.

45-1/4" Long
Fascia Trim

1x4 Gable Trim

3. Install windows with screws provided.

