



# Best Barns USA

Assembly Book

Revised April 7, 2016



## *Wood Pocket Doors*

---

**Manufactured by Reynolds Building Systems, Inc.**

205 Arlington Drive

Greenville, PA 16125

724-646-3775

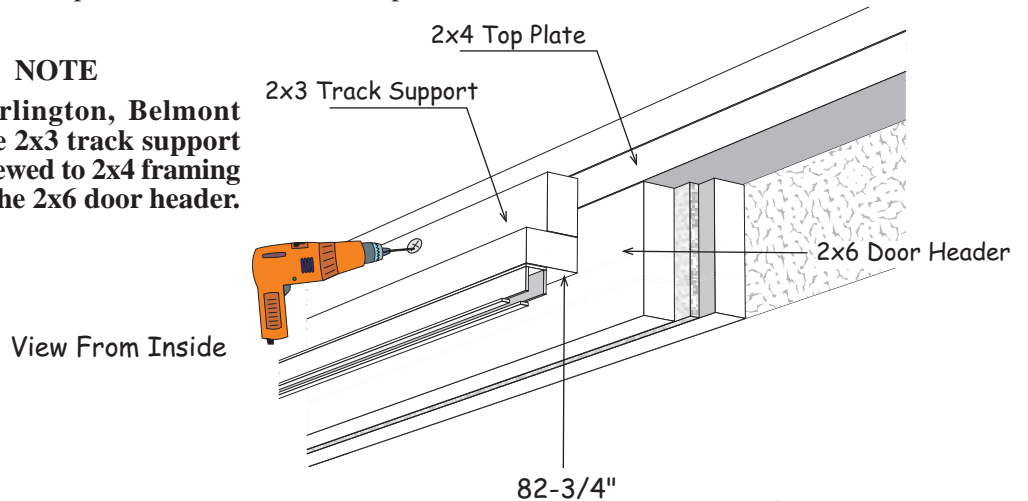
This manual is copyrighted. Under the copyright laws, this manual may not be copied, in whole or in part, without consent from Reynolds Building Systems, Inc. © Copyright 2011

## Step 1 Install Door Track & Door Sill

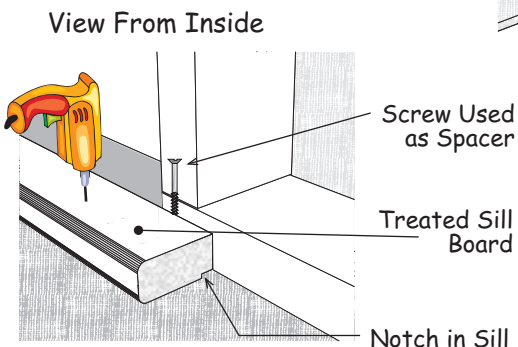
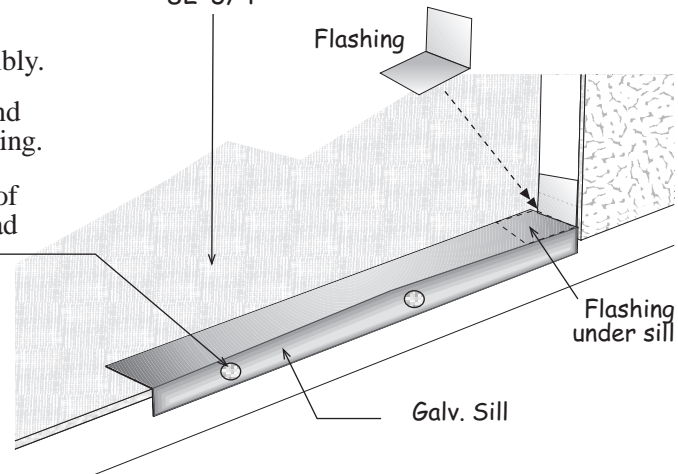
1. Install a 68-1/2" long track support assembly using 2-1/2" screws. Install the bottom of the 2x3 board 82-3/4" from the floor. The 2x3 boards will butt against the sidewall plates, the metal track will pass underneath.

### NOTE


On the Arlington, Belmont models the 2x3 track support will be screwed to 2x4 framing in lieu of the 2x6 door header.



2. Install the other track support assembly.
3. Bend a 3-1/2" x 5" metal flashing and install at each corner of the door opening.
4. Install a galv. door sill in the center of the door opening. Use 1-1/4" pan head screws along the front edge.



5. Install the treated door sill behind the door opening. There needs to be a space between the treated sill and the inside wall. To position the sill, insert a 2-1/2" screw between the treated sill and the inside wall as a spacer. Screw the sill to the floor with (6) six 2-1/2" long screws. Remove the screw used as a spacer.

 **Building Tip;** run a bead of caulking where flashing, treated sill and aluminum sill meet to prevent moisture from penetrating.

## Step 2 Install Doors

1. Locate the door that will be positioned on the right when facing the outside of the building. This will be the door with the siding and trim board extending past the 2x4 frame, *see detail below*. Slide the rollers on the track as shown below.

If it is necessary to adjust the door height, loosen two screws that secure the carrier to the door. Adjust door so the aluminum angle, on the bottom of the door, does not rub on the treated threshold. Tighten the two screws.

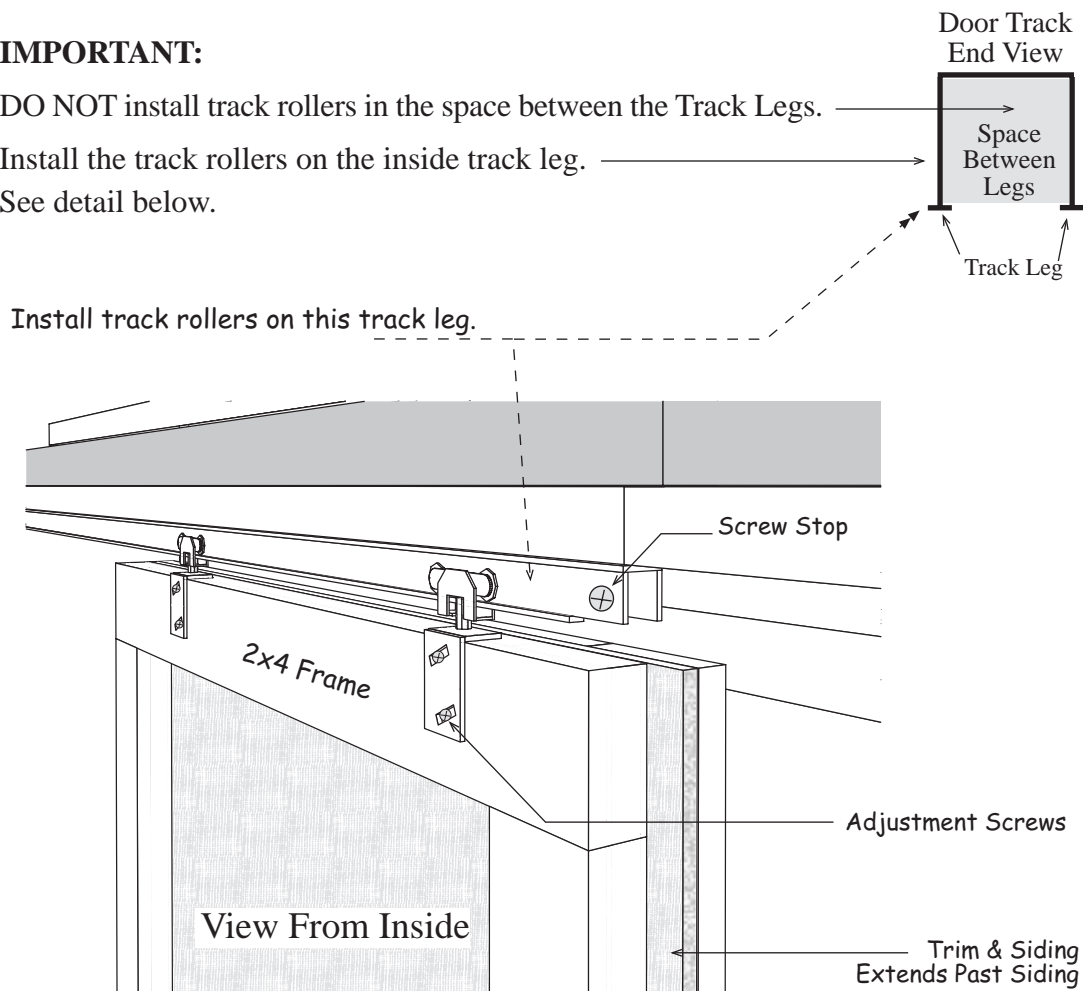
Tip: Inserting a screw, *shown below*, will prevent the doors from falling through the opening between the track, if the door is opened too far.

### IMPORTANT:

DO NOT install track rollers in the space between the Track Legs.

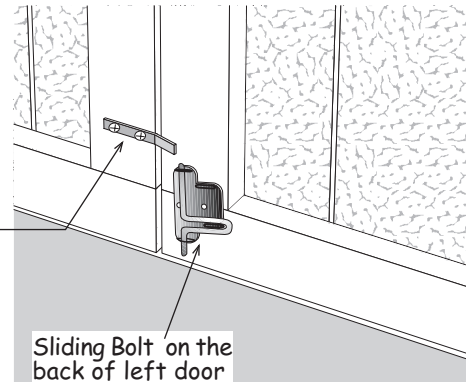
Install the track rollers on the inside track leg.

See detail below.



### Step 3 Install Door Latch

1. Hang the other door. On this door, install a sliding door latch, on the lower back of the door to secure this door in place when closed. You will need to drill a hole in the floor for the round shaft to drop into.
2. Install a metal plate to the bottom of the right door. The angle end will hold the bottom in-line with the left door when closed.
3. Install the door handles and locking door hasp on the outside of the doors.



| Material List for Wood Pocket Doors |                                       |                    |         |
|-------------------------------------|---------------------------------------|--------------------|---------|
| 2                                   | 36" x 79" Wood Doors w/ Primed Siding |                    |         |
| 2                                   | Boards w/ Alum. Track Attached        |                    |         |
| 1                                   | Treated Wood Threshold                |                    |         |
| 1                                   | Galvanized Door Sill                  |                    |         |
| 1                                   | Door Trim                             | 1x4                | 81-3/4" |
| 2                                   | Door Trim                             | 1x4                | 80"     |
| 1                                   | Door Jamb                             | 3-7/8" x 72"       |         |
| 2                                   | Door Jamb                             | 3-7/8" x 79 - 1/4" |         |

| Material List for Wood Pocket Doors |                                      |
|-------------------------------------|--------------------------------------|
| 4                                   | Track Rollers with Brackets          |
| 1                                   | Swivel Door Latch                    |
| 2                                   | Door Handles                         |
| 1                                   | Sliding Latch                        |
| 1                                   | Flat Steel Bar Door Guild            |
| 2                                   | 3" x 5" Galv Flashing                |
| 4                                   | 1-1/4" Pan Head Screws for Door Sill |
| 16                                  | 2-1/2" Wood Screws / square bit      |